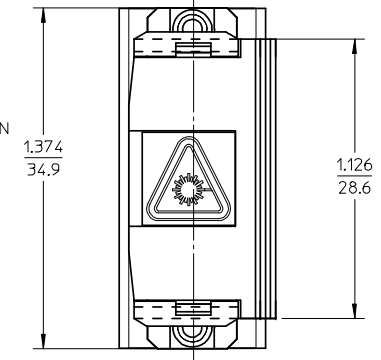
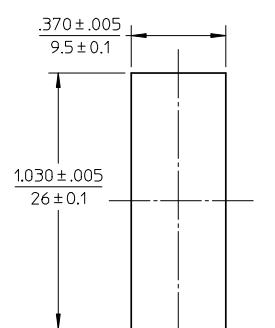


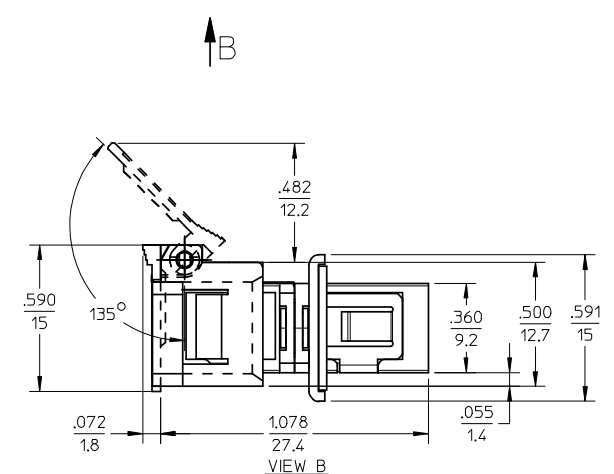
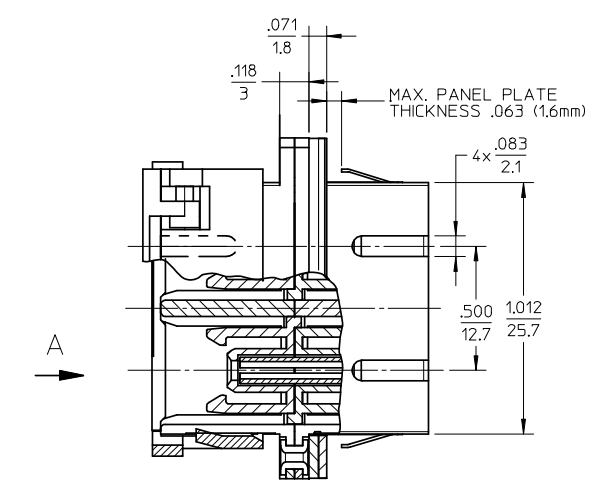
VIEW A
VARIATION 1
FOR LABEL INSTALLATION



VIEW A
VARIATION 2
FOR LABEL INSTALLATION



RECOMMENDED
MOUNTING CUTOUT



- NOTES:
1. ALL DIMENSIONS ARE FOR REFERENCE ONLY.
 2. LABEL MUST BE INSTALLED AND ORIENTED BY CUSTOMER.
 3. DUST CAPS ARE NOT SHOWN BUT INCLUDED.
 4. SCD METAL ADAPTER CONTAINS ZIRCONIA CERAMIC ALIGNMENT SLEEVES.
 5. SCD EMI ADAPTER MEETS APPLICABLE EIA/TIA STANDARDS.

ENTER DESCRIPTION EC NO: MF2008-0363 DRWN: JSZEWZYK 2008/02/29 CHKD: 2008/02/29 APPR: IGUMIN 2008/02/29 REV B	QUALITY SYMBOLS ▽=0 ▽=0	GENERAL TOLERANCES (UNLESS SPECIFIED) mm INCH 4 PLACES ± --- ± --- 3 PLACES ± --- ± --- 2 PLACES ± --- ± --- 1 PLACE ± --- ± --- ANGULAR ±1/2°	DIMENSION STYLE IN/MM DRAWN BY DATE PGIBLIN 2005/10/28 CHECKED BY DATE APPROVED BY DATE	SCALE 2:1 DESIGN UNITS INCH	THIRD ANGLE PROJECTION	
	DRAFT WHERE APPLICABLE MUST REMAIN WITHIN DIMENSIONS			MATERIAL NO. 1061161000	DOCUMENT NO. SD-106116-1000	SHEET NO. 1 OF 1
	MOLEX INCORPORATED					
	THIS DRAWING CONTAINS INFORMATION THAT IS PROPRIETARY TO MOLEX INCORPORATED AND SHOULD NOT BE USED WITHOUT WRITTEN PERMISSION					